



WanderB-VTOL

Mini Tactical **Electric VTOL UAS**

The WanderB-VTOL is a mini tactical, fully electric, Vertical Take Off and Landing (VTOL) UAS. It offers autonomous and flexible operation that combines the advantages of a fixed-wing UAV with the benefits of a multi-copter:

Fixed wing advantages - Long endurance, high-speed operation, ability to work in harsh environments, large area coverage and ability to glide to a safe landing.

Multi-copter advantages - Ability to take off and land in small, limited areas (forest clearings, urban, etc.) and soft and accurate landing.

Key Features

Field-proven | Fully operational in a GPS denied/spoofed and COMJAM environment

VTOL | Vertical takeoff & soft landing in small areas with a short turn-around time

Mission Flexibility | Large payload compartment supports a variety of easy replaceable sensors for diverse missions

Fuel-cell Configuration | Unprecedented long endurance of up to **6 hrs** for even greater mission flexibility

Covert Operation | Low acoustic, visual, thermal and radar signatures

Advanced Datalinks | Redundant two communication links for mission continuity even in COMJAM environment

Easy to Operate | Rapid deployment, small crew of two, no tools, no need for a prepared area

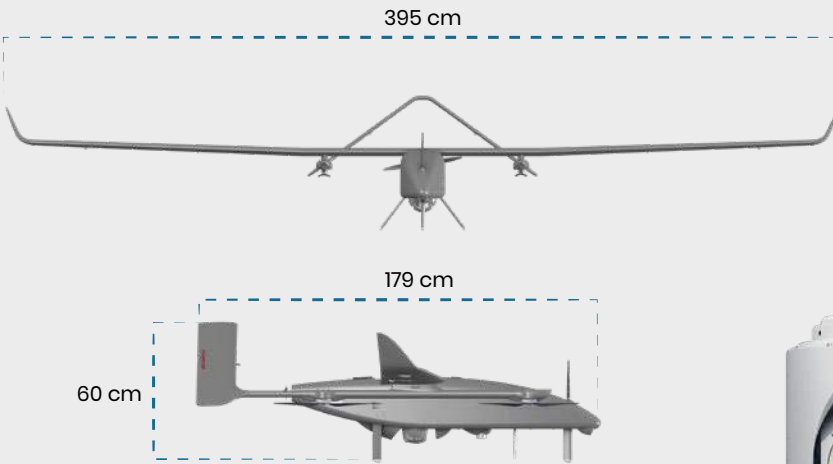
VTOL Power | Extended power bank for safe landing and VTOL assist during flight

High-Reliability | Unmatched MTBF (>1:1000) based on thousands of operational hours accumulated

Mission Computer | Improved autonomous capabilities for complex missions and emergency handling

LCC | Low acquisition and maintenance costs

Dimensions



EO/IR Camera Payload

GYRO STABILIZED CAMERA
UNCOOLED THERMAL IR SENSOR

Specifications



MTOW
18 Kg



ENDURANCE
UP TO **3h / 6h (Fuel Cell)**



COMM RANGE
UP TO **50 Km**



MAX SPEED
120 Km/h (65Kts)



PAYLOAD WEIGHT
1.5 kg

Operational Missions



Covert ISTAR



Artillery Support



Border Protection



3D/2D Hi-Res Mapping



Force Protection



Maritime Operations



Search and Rescue



Civilian Applications



Disaster Management



Law Enforcement



Ft Bragg - 3D Mapping