

## Small Tactical Long-Range VTOL UAS

The ThunderB-VTOL is a small tactical hybrid Vertical Take Off and Landing (VTOL) UAS. It offers autonomous operation, long endurance and high operational flexibility. The ThunderB-VTOL UAS combines the advantages of a fixed-wing UAV with the benefits of a multi-copter:

**Fixed wing advantages** - Extended endurance, high speed, ability to work in harsh environments, large area coverage and ability to glide to safe landing.

**Multi-copter advantages** - Ability to take off and land in small, limited areas (forest clearings, urban, etc.) and soft and accurate landing.

# Key Features

**Field-proven** | Fully operational in a GPS denied/spoofed and COMJAM environment

**VTOL** | Vertical takeoff & soft landing in small areas with a short turn-around time

**Exceptional Performance** | Endurance up to 12 hours, communication range of up to 150 Km

**Mission Flexibility** | Supports a variety of sensors for diverse missions (EO/IR, 3D Mapping, Radar, SIGINT & COMMINT)

**Covert Operation** | Low acoustic, visual, thermal and radar signatures

**Advanced Datalinks** | Redundant two communication links for mission continuity even in COMJAM environment

**Robust System** | Optimal operation in severe weather & extreme conditions

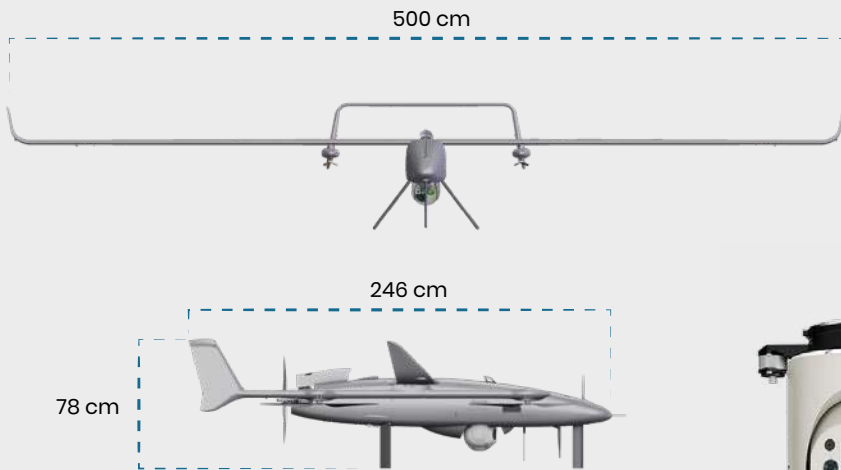
**Easy to Operate** | Rapid deployment, small crew of two, no tools, no need for a prepared area

**VTOL Power** | Extended power bank for safe landing and VTOL assist during flight

**High-Reliability** | Unmatched MTBF (>1:1000) based on thousands of operational hours accumulated

**Mission Computer** | Improved autonomous capabilities for complex missions and emergency handling

# Dimensions



# Specifications



MTOW  
**45 Kg**



ENDURANCE  
UP TO **12 Hrs**



COMM RANGE  
UP TO **150 Km**



MAX SPEED  
**120 Km/h (65Kts)**



PAYLOAD WEIGHT  
**4 - 8 kg**

# Operational Missions



Covert ISTAR



Artillery Support



Border Protection



3D/2D Hi-Res Mapping



Force Protection



Maritime Operations



Search and Rescue



Civilian Applications



Disaster Management



Law Enforcement



**EO/IR Camera Payload**  
GYRO STABILIZED CAMERA  
COOLED THERMAL IR SENSOR

