



X
SPYX



Tactical.
Agile. Lethal.

EXTENDED-RANGE LOITERING MUNITION UAS

Experience unmatched tactical precision with **SpyX**. Developed by BlueBird Aero Systems, this cutting-edge UAV platform redefines warfare effectiveness. With an extended range of up to 50 kilometers and an impressive 2-hour endurance, **SpyX** empowers tactical teams with remarkable efficiency. Equipped with advanced guidance capabilities and pre-launch selectable warheads, this fully autonomous system ensures optimal effectiveness against various targets. Step into the future of military technology with **SpyX**, where precision and efficiency redefine the battlefield.

KEY FEATURES

- + High Precision Strike
- + Long Range and Endurance
- + High Attack Speed
- + Interoperability with Bluebird's VTOL ISR UAV Family
- + Triple-Sensor Payload
- + User Selectable Warheads
- + Training Configuration
- + Safe and Easy to Operate
- + Advanced Autonomous Capabilities

SPECIFICATIONS



MTOW
10 Kg



COMM RANGE
UP TO **50 Km**



ENDURANCE
UP TO **2 Hrs**



WARHAED
UP TO **2.5 Kg**

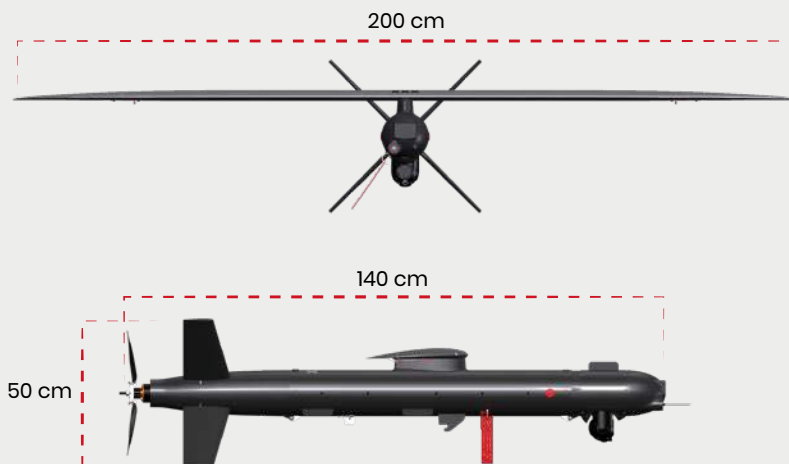


ATTACK SPEED
UP TO **250 Kmph**



STRIKE PRECISION
CEP LESS THAN **1 Meter**

DIMENSIONS



WARHEADS TYPES

Controlled Detonation:
Proximity / Impact / Delayed



ANTI TANK



ANTI PERSONNEL
/ LIGHT ARMOUR



SEPARATE WARHEAD STORAGE.

Enhanced logistics & compact storage, SpyX's unique design separates warhead, optimizing storage, reducing bunker space, and simplifying transportation and handling.

