



GREMSY



# SPECIFICATION

Release date: March 16, 2020 - V.1.0

# SPECIFICATION

## MECHANICAL & ELECTRICAL CHARACTERISTICS

Working Current	Static current: 300mA/14.5V
	Dynamic current: 600mA/14.5V
	Locked motor current: 4A/15.5V
Operating Temperature	32° F ~ 120° F (0° C ~ 50° C)
Weight	4 lbs (1860 g)
Gimbal Dimension	260(W) x 253(D) x 345(H)

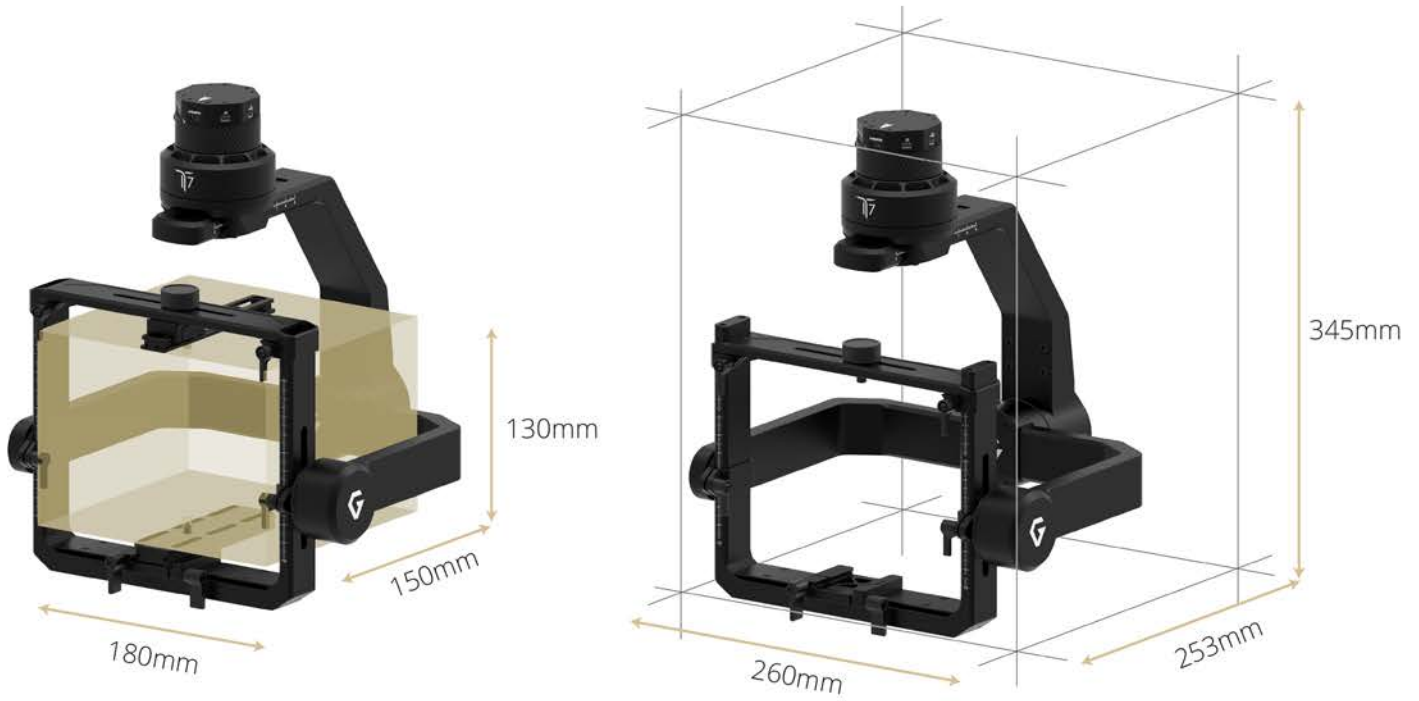
## PERIPHERAL

Camera Tray Dimensions	Maximum depth from the center of gravity on camera base plate: 150mm
	Maximum height measured from top of camera base plate: 130mm (up to 170mm with extension bar)
	Maximum width: 180mm
Input Power	15-52V
Connections	USB 2.0, CAN, UART, S-bus, Spektrum, PPM, Bluetooth
PC Assistant Software Requirements	Windows XP or above; Mac OS X 10.9 or above
Mobile Assistant Software Requirements	iOS 7.1 or above; Android 4.3 or above

## WORKING PERFORMANCE

Maximum Payload	7 lbs (3175 g)
Angular Vibration Range	± 0.02°
Maximum Controlled Rotation Speed	Pan axis: 180°/s
	Tilt axis: 180°/s
	Roll axis: 180°/s
Mechanical Endpoint Range	Pan axis control: ±345°
	Tilt axis control: ±150°
	Roll axis control: +80° to -264°
Controlled Rotation Range	Pan axis control: ±300°
	Tilt axis control: ±120°
	Roll axis control: ± 45°

## DIMENSION & CAMERA CAGE



## CAMERA COMPATIBILITY



Phase One iXM50/100



Phase One iXM-RS150F/ iXM-RS100F  
(except lens 300mm)



Corocam 8 UAV



Specim AFX10/17



Workswell Wiris GIS 320



Senop HSC-2 Hyperspectral

For more information, visit our website at: [gremsy.com](https://gremsy.com)

For instant support, send us an email to [contact@gremsy.com](mailto:contact@gremsy.com)



[@GREMSYTECH](https://www.instagram.com/GREMSYTECH)



[FACEBOOK.COM/GREMSY](https://www.facebook.com/GREMSY)



[GREMSY.COM](https://www.gremsy.com)