

TEKEVER

AR4

ELEVATING YOUR AWARENESS

Simple to operate, field tested and battle proven, a perfect fit for operational requirements.

- ★ ISTAR Missions
- 🎯 Anti-terrorist Surveillance
- 🔥 Environmental Surveillance
- 🏠 Infrastructure Monitoring

2
MINUTE
ASSEMBLY

PROVEN
FLEXIBILITY

LOWEST
TOTAL COST
OWNERSHIP

ITAR
FREE

VERY SMALL
FOOTPRINT



From software, to electronics, to airframe, we master all the details. We adapt.

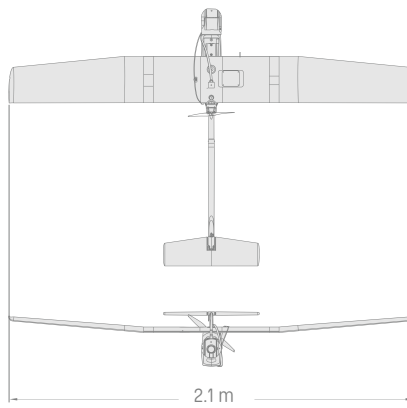
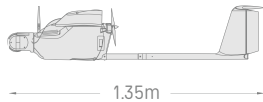
We're TEKEVER



info@tekever.com
www.tekever.com
2 Venture Rd, Chilworth
Hampshire
SO16 7NP, United Kingdom

AR4

TEKEVER AR4 is our lightweight Unmanned Aircraft System (UAS) designed for rapid mobile deployment. Suitable for both military and commercial applications, this tactical platform is easy to assemble, providing an organic ISR capability.



AR4

TEKEVER AR4 main capabilities:

Go anywhere! A focus on ease of use, transportability, maintainability and payload flexibility.

Validated and battle proven by multiple security and military forces

Real-time Precision Imagery (High-resolution Image and Video)

Powerful intelligent detection, identification and tracking capabilities

Easy exchange of parts from one system to another

Fully modular system, supporting immediate replacement, even with other product lines

Focus on system autonomy, flexibility and capability to evolve

PAYLOAD OPTIONS

- Multiple options for EO sensors,
- Multiple near-infrared to LWIR sensors
- Communications Relay systems

Dimensions

2.1 x 1.35 m

Cruise Speed

54km

Comms Range

20 km

MTOW

4 kg

Payload Capacity

0.5 Kg

Endurance

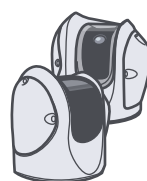
2h

Recovery

Parachute or Belly

Launch

Hand Launched



Components.



Assemble.



Ready to deploy.



Deployment.



Retrieval by parachute.