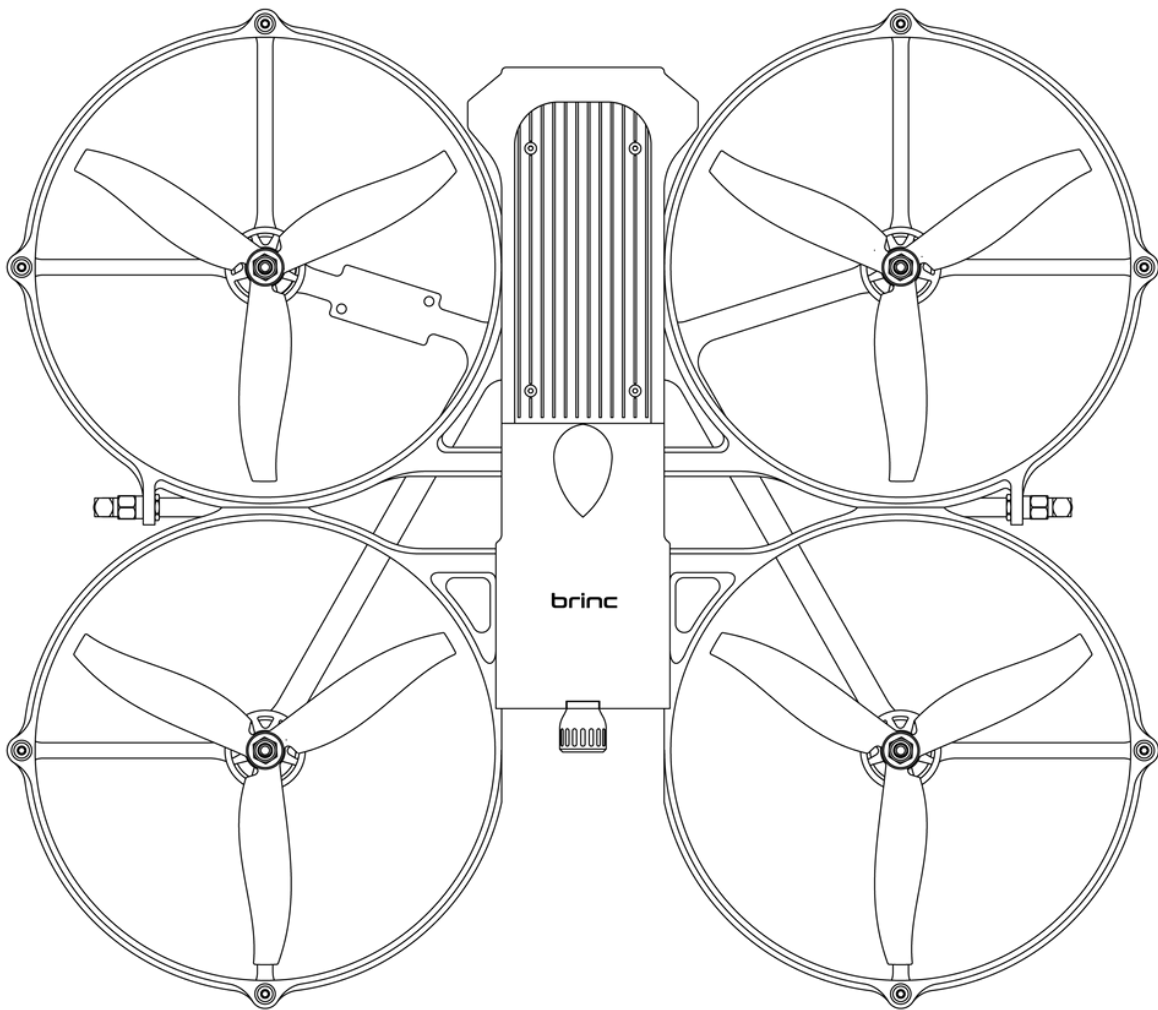


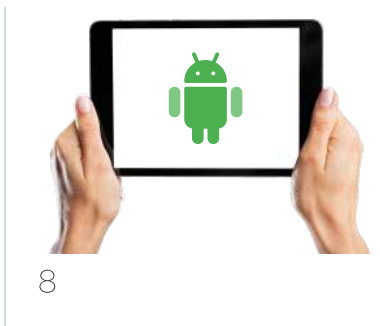
# brinc DroneSense

User Manual v1.0



## lemur S

## Hardware Needed



Compatible with Android devices only

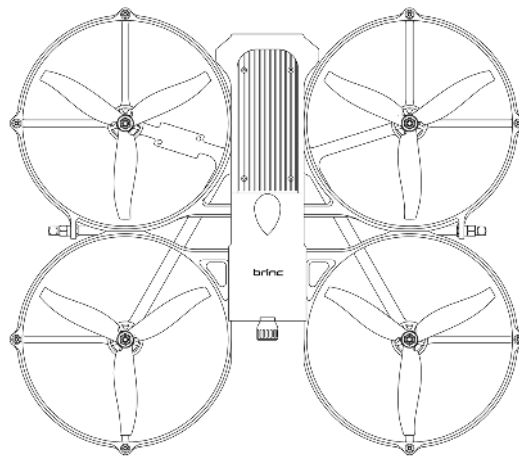
## Legend

- |  |                                 |
|--|---------------------------------|
| 1. BRINC LEMUR S                             | 6. HDMI Cable                   |
| 2. BRINC Repeater/Receiver Box               | 7. HDMI to USB-C Adapter        |
| 3. BNC Cable                                 | 8. Android Tablet or Smartphone |
| 4. BNC to Analog Video Adapter               | 9. Drone Sense                  |
| 5. <a href="#">Component to HDMI Adapter</a> |                                 |

## Workflow

1. Connect **BNC Cable** to **BRINC Repeater/Receiver Box**
2. Connect **Analog Video Adapter** to the opposite end of **BNC Cable**
3. Connect **Component** to **HDMI Adapter** to **Analog Video Adapter** in the **Y** or **Green Port**
4. Connect **HDMI** to **Component** to **HDMI Adapter**
5. Connect the opposite end of **HDMI** to **HDMI** to **USB-C Capture Card**
6. Connect **Capture Card** to **Android Tablet** or **Smartphone**
7. Power On **BRINC Transmitter**
8. Power On **LEMUR S**
9. Power On **BRINC Repeater/Receiver Box**
10. Open **DroneSense** and log into your account
  - a. On the **mission selection page**, once you've selected a mission, be sure to change your **"device type"** on the right side of the screen. It does not matter which avatar/device you select as long as you change it from drone.
  - b. Join the mission.
11. On the right side of the screen select the **"External Source"** instead of the front or back camera.





**lemur S**

This content is subject to change.  
Download the latest version from [www.brincdrones.com](http://www.brincdrones.com)