



GREMSY

# S1 V3

THE GIMBAL FOR INDUSTRIAL APPLICATIONS



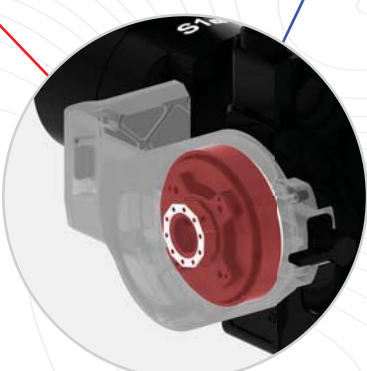
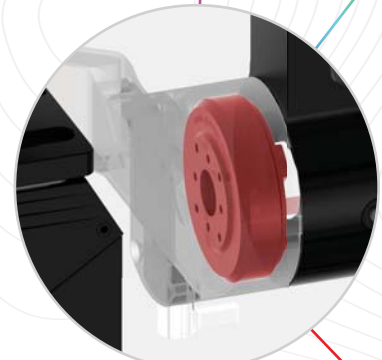


## MAPPING MODE

Specialized for single operator, always aligned with the nose direction of the aircraft and tilted down 90 degrees.

## EXTENDED ±345° PAN ROTATION

Large pan rotation to facilitate your missions.



## 20% INCREASE IN MOTOR POWER

The S1 gets power directly from the flight battery to convert to a 14.5V power supply, allowing motor power to increase by 20%.



## ADVANCED I/O DESIGN

Allow easy and intuitive operation with multiple devices such as FC, remote control, auxiliary I/O, etc.

Sbus, AUX, Com, HDMI, JR, Power, USB, Can



## FLEXIBILITY IN CAMERA MOUNTING

Two mounting-options to mount small or large camera.



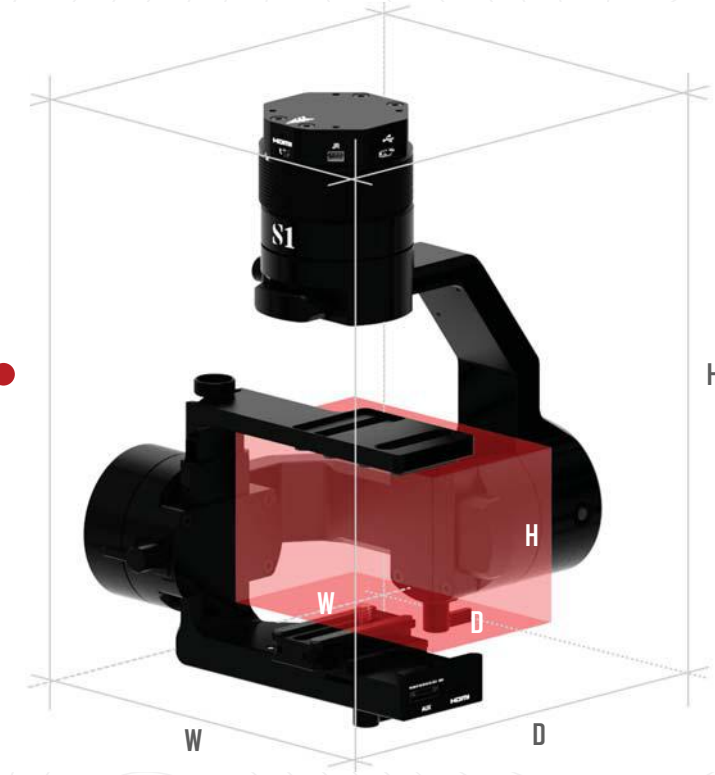
## HDMI HYPER QUICK RELEASE

Allow high-speed HDMI transmission and quick assembly with various platforms.

Swap out the Gremsy gimbals with ease.

## WEIGHT & DIMENSION

Weight	1.8 lbs (830g)
Maximum Payload	1.6 lbs (750g)
Camera Cage (DxWxH)	65 x 120 x 75 (mm)
Gimbal Dimension (DxWxH)	168 x 150 x 220 (mm)



## KEEP IN TOUCH

We love seeing how our talented customers use Gremsy products, so we're thrilled to have chances to showcase your stunning images and footages.

Share with us by sending an email to [contact@gremsy.com](mailto:contact@gremsy.com).

 [GREMSY.COM](https://www.gremsy.com)

 [/GREMSY](https://www.facebook.com/gremsy)

 [@GREMSYTECH](https://www.instagram.com/gremsytech)