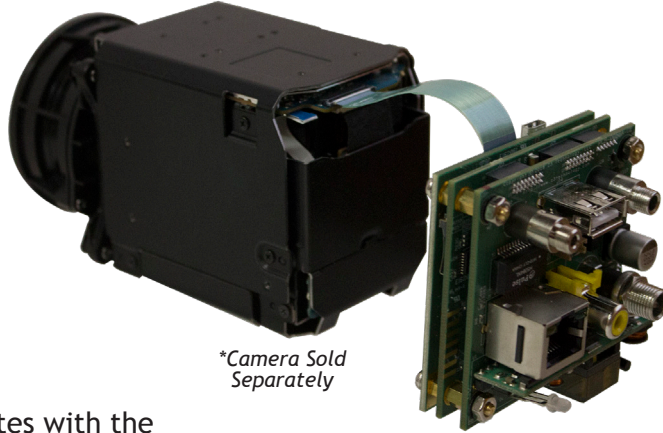




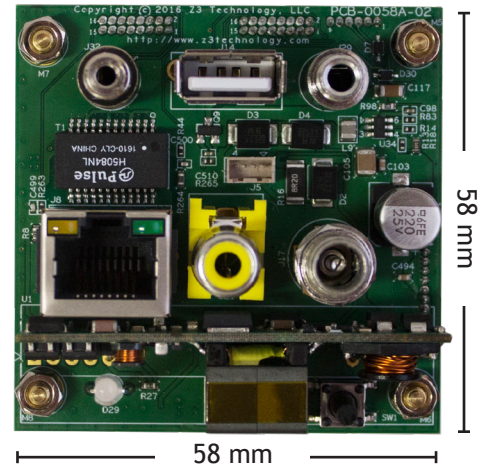
Z3
Technology®



*Camera Sold Separately

HE4K-DCK-1x

*Actual Size



- Natively integrates with the FCB-ER8300/8530/8550 Sony Block Cameras
- Pass VISCA™ Camera Control Commands over IP, ONVIF® Profile S
- High Quality Efficient H.265/HEVC Video Encoding
- Low Bandwidth, Low Latency Video Encoding
- Easy-to-Use HTTP-Based Control Interface

The HE4K-DCK-1x is a compact encoder system designed to enhance Sony's 4K FCB-ER8300, 8530, or 8550 Block Cameras. The hardware consists of encoder boards capable of encoding H.265/HEVC video in HD and Ultra-HD resolutions. The boards feature on-board interfaces including GigE, USB 2.0, RS-485, Audio Input and Composite Out. These features combined with the existing capabilities of the Sony Block Camera allow for a complete compact HEVC 4K video encoding solution. Users are able to purchase the HE4K-DCK-1x as an OEM starter kit or a complete package that includes an optional enclosure for the entire solution.

Technical

Interfaces	Video from Sony FCB-ER8300/8530/8550 via KEL ribbon cable ¹ , GigE, USB 2.0, Audio Input, RS-232, RS-485, Composite Output and Optional Micro HDMI Input*
Video Codecs	H.265/HEVC, H.264 and MJPEG
Encoding Resolutions	4K UHD & HD up to 30 fps(2160p, 1080p, 720p & lower)
Output Formats	RTP, RTSP, MPEG-2 TS and RTMP ²
Features	<ul style="list-style-type: none"> • Low latency, Low Power • Pass VISCA™ Camera Control Commands over IP • ONVIF® Profile S with Media Services 2.0 • Simultaneous encode of H.265/HEVC and H.264 • Power over Ethernet (PoE) • Optional Chassis for Camera and Encoder Board* • Compatible with ZEUS® HE265-DEC

¹ KEL ribbon cable sold separately
² In H.264 mode only

Specifications

Encoder Board Size	58 x 58 mm (2.28 x 2.28 in)
Encoder Board Weight	87.9g
Power Consumption	4.5W typical while encoding H.265/HEVC video in 2160p30
Power Supply	12V DC
Operating Temperature	-5°C to +70°C

ORDERING OPTIONS

HE4K-DCK-1x OEM Production Set

- HE4K-DCK-1x Encoder Boards
- Documentation

Note: Sony FCB-ER8300/8530/8550 Camera Block and KEL Ribbon Cable sold separately*

HE4K-DCK-RPS OEM Starter Kit

- HE4K-DCK-1x Encoder Boards
- KEL Ribbon Cable
- Power Supply
- SDK
- Documentation

Note: Sony FCB-ER8300/8530/8550 Camera Block sold separately*

Z3Cam-4K™ Complete Solution

- HE4K-DCK-1x Encoder Boards
- KEL Ribbon Cable
- Power Supply
- Enclosure, PoE and Camera Block
- Documentation

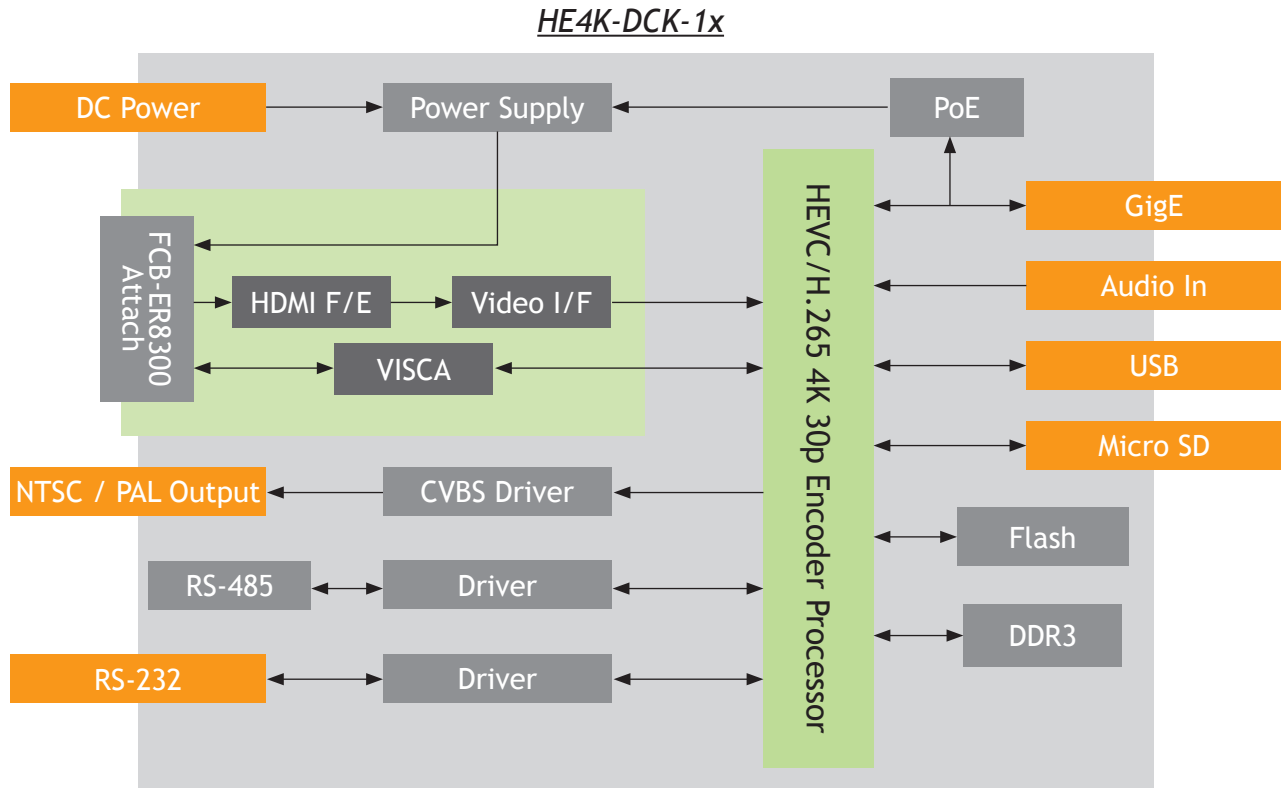
APPLICATIONS

Security and Surveillance
Industrial Applications
Medical Applications
Customized Applications*

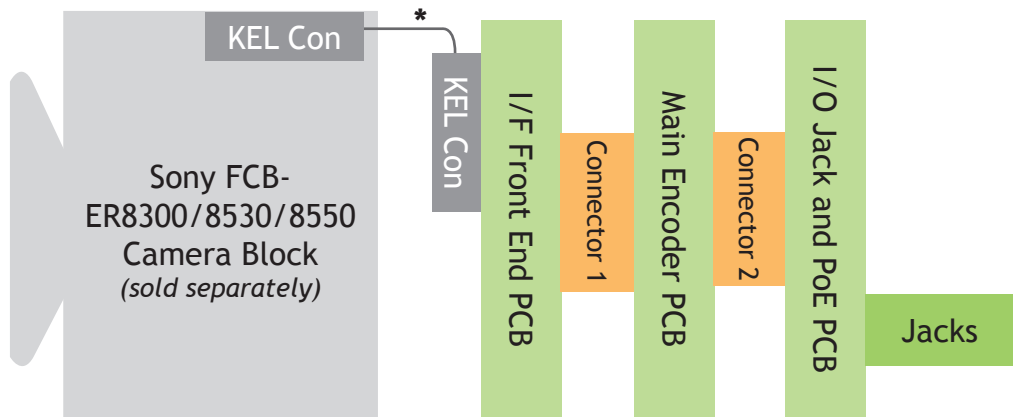


HW Block Diagram

HE4K-DCK-1x



HE4K-DCK-RPS Physical



*KEL ribbon cable sold separately

***Contact Z³ Technology for Customized Product Options**
sales@Z3technology.com +1.402.323.0702 www.Z3technology.com



Z³ Technology is an industry-leading, USA-based manufacturer of production-ready embedded multimedia solutions and IP camera systems. From our founders to our world-class engineers to our sales and customer service team, we understand your requirements and speak your language. Our experience allows us to provide cost-effective solutions to meet your multimedia product requirements. With the assistance of our robust worldwide distribution and sales networks, we can provide a simple solution for your multimedia needs.