



EMBEDDED
SYSTEMS, INC.™

RPCS-001 Rugged Portable Computing Out-of-the-Box, Mission-Ready

The RPCS-001 provides a highly portable and customizable computing system in a hardened enclosure that is ready for your most demanding applications and punishing environments.

- Designed for rapid deployment
- Easily preconfigured/modified internal electronics
- Airline carry-on sized roller case with a telescoping handle for superior convenience and mobility
- Powerful mobile i7-based embedded rugged computer
- Customizable external I/O routed to a top panel under case lid
- Fanless, nearly silent operation
- Multiple hard drive, network, and AC/DC power options



COMPUTING

Processor: Intel Core i7, 2.53GHz dual core
i5/2.4GHz, i3/2.13GHz available

Chipset: QM57

Memory: 8GB, DDR3, 1066MHz

I/O

Programmable lid-mounted all-weather LCD display
readable in sunlight, touchpad, 6-button keypad
Optional dual simultaneous display
Standard VGA (DB-15HD) port display, optional DVI-I,
HDMI 1.3, 24-bit LVDS
CPU power and hard drive LED indicators

Pre-configurable RJ-45 ports

Two GigE NIC controllers, four GigE hub ports
Add'l NIC controllers available on expansion board
Four external USB2.0 ports, 6 internal
One RS-232 standard, two optional
Expansion: 1xPCIe/1xPCIe 32-bit, 33MHz/2xMiniPCI

STORAGE

System accepts standard 2.5" SATA drives,
rotational or solid-state
Two internal 2.5" SATA bays

One internal CD Card Type I/II
Removable drives mounted in sled, inserted via
top panel, internal drives mounted inside box

PHYSICAL and POWER

HWD: 9" x 13.8" x 22"

Weight: <40 lb in typical configuration

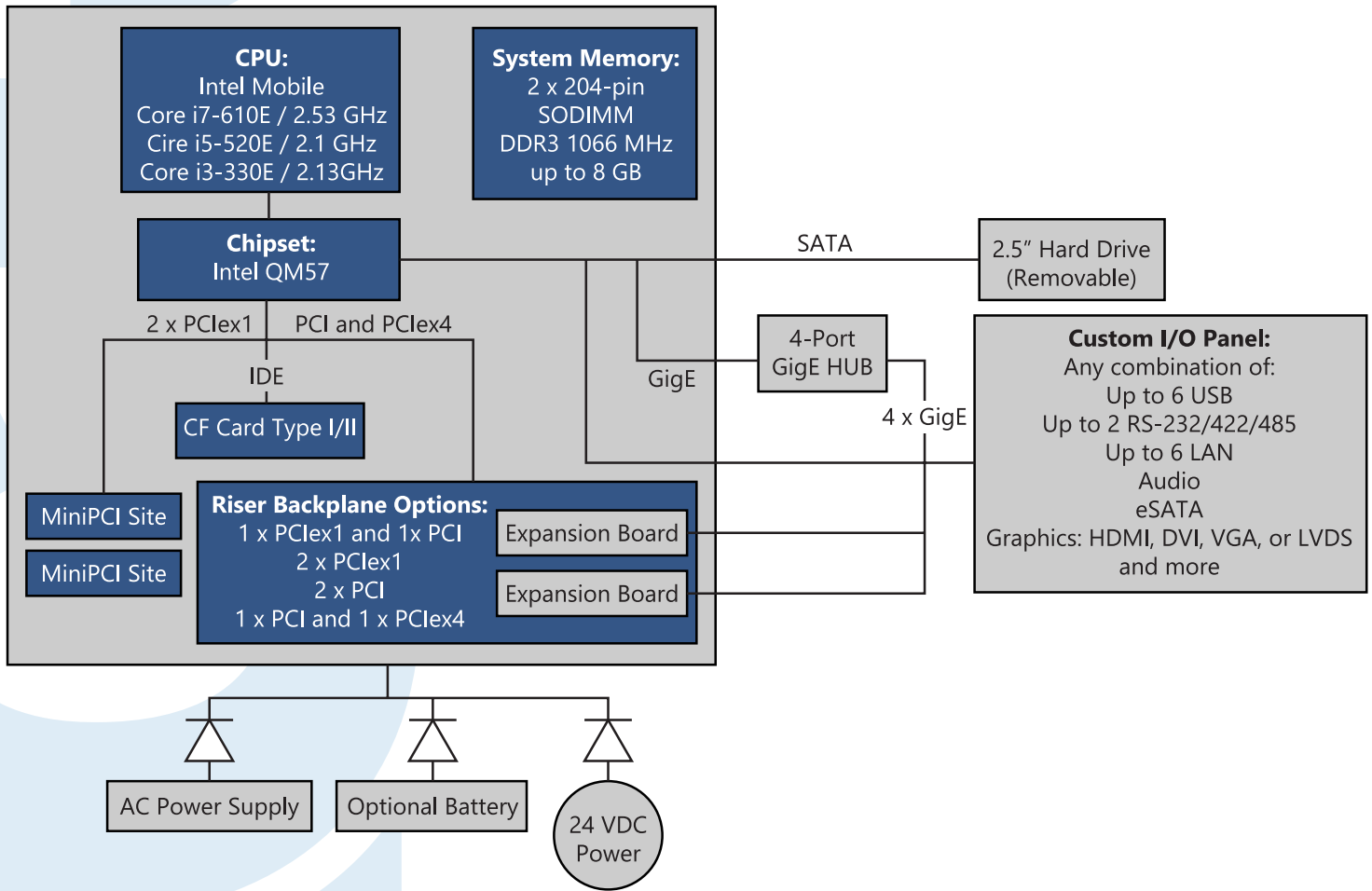
Watertight, dust/sandproof in transit
Storage pouch for laptops, cables, etc.
Internal shock mounts

Total power: 60W maximum

100-240 VAC 50/60 Hz, 1/5 A

28 V nominal DC (9034 VDC @ 9 A - 2.4 A

Optional MIL-STD-2590 battery, cable for automatic
failover, can provide 30-90min run time



Lid must be open during operation. Cooling is achieved via screened vents in top panel and passive heatsink. Internal recirculation fan cools electronics through the case

As shown on the front page, storage pouches are included in the lid for cables and other accessories. When closed, the convenient rolling case fits within airline carry-on size requirements.



LCR EMBEDDED SYSTEMS OFFERS

Rugged Design Options
 Custom Form Factors
 Custom Backplanes and Electronics
 Custom Standards
 System Integration

Complete Testing Capabilities
 Advanced Design Capabilities
 Retrofit/Upgrade to 3rd Party Equipment
 Complete Manufacturing Services Located in the USA

LCR Embedded Systems provides a limited, one- year warranty on its products. The complete warranty plus other terms and conditions of sale are available upon request. Contact your area LCR Embedded Systems Sales Representative for more information.

