

FLIR VUE™ PRO

Thermal Camera for sUAS

Take drone thermal imaging and data recording to the next level with Vue Pro



Designed for professional use, FLIR Vue Pro is more than a thermal camera, it is a thermal measurement instrument and data recorder that adds tremendous value to your sUAS operations and services. Still with the same industry-leading thermal imaging quality and affordability as the best-selling FLIR Vue, the Vue Pro adds full data recording of thermal video and 14-bit still imagery. When connected to compatible flight control systems, it will automatically insert full aircraft geo-location and flight data information into each captured image for the easy image stitching required for mapping, survey, and precision agriculture applications.



AFFORDABLE THERMAL IMAGING AND ON-BOARD DATA RECORDING

- Airborne thermal data recording starting as low as \$1,999
- Simple power-in/video-out interface over 10-pin mini-USB connector
- Image settings optimized for airborne operations

ON-BOARD RECORDING OF THERMAL IMAGERY AND FLIGHT DATA TO AN ON-BOARD MICROSD CARD

- Record real-time thermal videos in MOV format
- Still images save aircraft's flight information in each still image
- MAVLink integration with convenient over RS-232 connection

FLEXIBLE, POWERFUL CAMERA CONTROL AND CONFIGURATION OPTIONS

- Control two selectable camera functions with PWM inputs – imagery color palettes, recording start/stop, still image capture, or E-zoom setting
- Configure your camera's recording and control settings with our mobile app
- Field-upgradeability make sure you'll always have the latest features

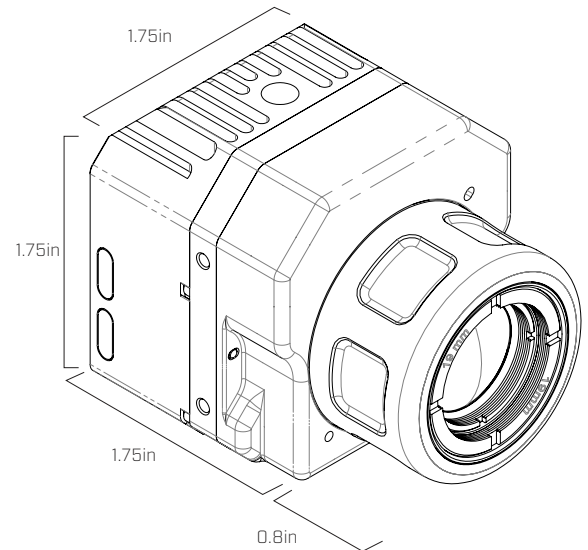
Specifications

Overview	
Thermal Imager	Uncooled VOx Microbolometer
Sensor Resolution	640 x 512 336 x 256
Lens Options (FOV for Full-Sensor Digital Output)	9 mm; 69° x 56° 13 mm; 45° x 37° 19 mm; 32° x 26° 6.8 mm; 45° x 35° 9 mm; 35° x 27° 13 mm; 25° x 19°
Lens Options* (FOV for NTSC Analog Output)	9 mm; 62° x 49° 13 mm; 45° x 35° 19 mm; 32° x 24° 6.8 mm; 44° x 33° 9 mm; 34° x 26° 13 mm; 24° x 18°
Spectral Band	7.5 - 13.5 µm
Full Frame Rates	30 Hz (NTSC); 25 Hz (PAL)
Exportable Frame Rates	7.5 Hz (NTSC); 8.3 Hz (PAL)
Physical Attributes	
Size	2.26" x 1.75" (including lens)
Weight	3.25 - 4 oz (Configuration Dependant)
Precision Mounting Holes	Two M2x0.4 on each of two sides & bottom One 1/4-20 threaded hole on top
Image Processing & Display Controls	
Image Optimization for sUAS	Yes
Scene Presets & Image Processing?	Yes – Adjustable in App
Invertable Image?	Yes – Adjustable in App
Color Palettes	Yes – Adjustable in App and via PWM
Zoom	Yes – Adjustable in App and via PWM
Interfacing	
Input Voltage	4.8 - 6.0 VDC
Power Dissipation (Peak)	2.1 W (3.9 W)
Environmental	
Operating Temperature Range	-20°C to +50°C
Non-Operating Temperature Range	-55°C to +95°C
Operational Altitude	+40,000 feet
Optional Power & HDMI Video Module	
Input Power Range	5 VDC – 28 VDC
Reverse Polarity Protection?	Yes
Analog Video Output?	Yes
HDMI Output	1280x720 @ 50hz, 60hz

* Because the analog video output resolutions (640 x 480 and 320 x 240, respectively) are less than the full sensor resolution captured when saving digital stills and video, their resultant fields of view are slightly smaller as well. Both sets of values are shown here to allow operators the option of choosing the FOVs that most accurately reflect their pre-flight planning requirements.

Optional Power & HDMI Video Module

The Optional Power & HDMI Video Module makes the Vue Pro and Vue Pro R easier to integrate than ever. Its 10-pin mini-USB connector accepts a wider input power range and provides reverse polarity protection while still providing analog video output and access to the camera's on-board storage. The micro-HDMI connector outputs HDMI video for live digital video downlink systems like DJI Lightbridge and 3DR Solo. All this in a package that's only 11 mm thick and weighs 15 grams.



Vue Pro with Optional Power & HDMI Video Module attached

SANTA BARBARA

FLIR Systems, Inc.
6769 Hollister Ave.
Goleta, CA 93117
USA
PH: +1 805.964.9797

www.flir.com/vuepro
NASDAQ: FLIR

PORTLAND

Corporate Headquarters
FLIR Systems, Inc.
27700 SW Parkway Ave.
Wilsonville, OR 97070
USA
PH: +1 866.344.4674

Equipment described herein may require US Government authorization for export purposes. Diversion contrary to US law is prohibited. Imagery for illustration purposes only. Specifications are subject to change without notice. ©2016 FLIR Systems, Inc. All rights reserved. (16-0510)