

AX3702-Mini Survey Antenna

AX3702 is a mini survey antenna. It receives GPS L1/L2, GLONASS L1/L2 and BDS B1/B2/B3 frequencies, which can be used in land survey, marine survey, channel survey, seismic monitoring, bridge survey, container operation, agriculture applications, etc. Customers can use the same antenna for GPS only or dual constellation applications.



It has high gain and wide beam width to ensure that the satellite performs well at receiving signals at low elevation angle. The phase center of this antenna remains constant as the azimuth and the elevation angles of the satellites change. Signal reception is unaffected by the rotation of the antenna or satellite elevation, so placement and installation of the antenna can be completed with ease.

Key Features

- Supports GPS L1/L2, GLONASS L1/L2 and BDS B1/B2/B3 frequencies.
- Multi-path rejection board inside eliminates multi-path influence to measurement error.
- Adopts multi feed design to ensure superposition of phase center and geometrical center; and minimize influence to measurement error.
- Water & dust-proof design ensures absolute sealing of kernel parts; capable of long time outdoor operation.
- Lightning proof circuit inside protects LNA from being damaged by surge immunity.
- Very low noise figure.



AX3702-Mini Survey Antenna

Antenna Specification

- Frequency Range.....GPS L1L2/ GLONASS L1L2/BDS B1B2B3
- Impedance..... 50ohm
- Polarization..... RHCP
- Axial Ratio..... $\leq 3\text{dB}$
- Azimuth Coverage..... 360°
- Output VSWR..... ≤ 2.0
- Peak Gain..... 5.5dBi
- Phase Center Error $\pm 2\text{mm}$

Environment Specification

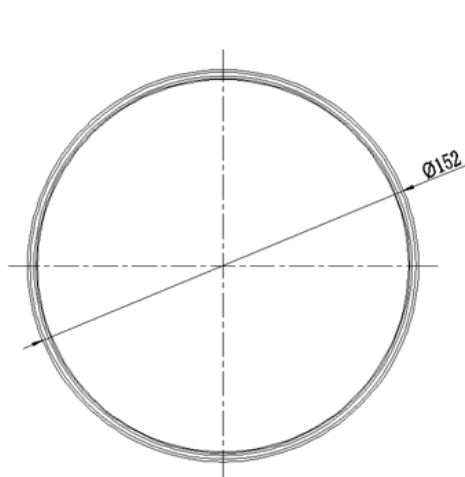
- Storage /Operating Temp..... $-40^\circ\text{C} \sim +70^\circ\text{C}$
- Humidity.....95% No-condensing

LNA Specification

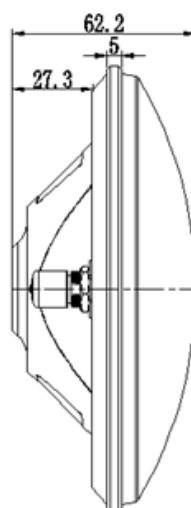
- LNA Gain..... $40 \pm 2\text{dB}$
- Noise Figure..... $\leq 2.0\text{dB}$
- Output VSWR..... ≤ 2.0
- Operation Voltage..... $3 \sim 18\text{VDC}$
- Operation Current..... $\leq 45\text{mA}$
- Group Delay..... $\leq 5\text{ns}$

Mechanical Specification

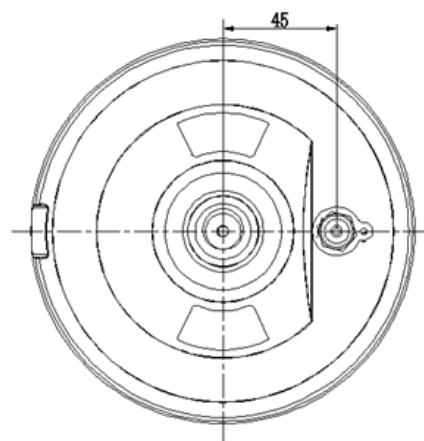
- Dimension..... $\phi 152 \times 62.2\text{mm}$
- Connector..... TNC Female
- Weight..... 374g



Top view



Side view



Bottom view

